



**STRONGER
TOGETHER**

**PRIME
EQUIPMENT GROUP**
Simple Solutions for Poultry Processing

WING CASCADE SCALDERS

Model No. WS-7, WS-8 WS-9, WS-9T

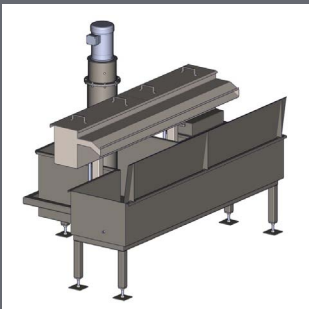


The **WS-Series Wing Cascade Scalders** are designed to improve yield, minimize operating costs and reduce wing damage throughout the picking process. The Scalders cascade hot water in excess of 550 gallons per minute to heat, stretch and loosen wings, making them more accessible for picking. This allows for localized "target-picking" in critical areas, and reduces product damage.

See Prime in action: View
www.PrimeEquipmentGroup.com/videos

Viewing on-line? Click here

IMPROVES ENTIRE PICKING PROCESS
WHILE REDUCING SCALD TEMPERATURES
WATER IMPACT ON WINGS ALLOWS FOR
BETTER PICKING ACCESS
PAIR WITH PRIME WATER TREATMENT
AND RE-USE OPTIONS AS A COMPLETE
SOLUTION



PRIME ROI:

SAVES HOT-WATER COSTS BY ALLOWING REDUCED TEMPERATURES IN WHOLE-BIRD SCALDERS UP-LINE WHILE IMPROVING PICKING QUALITY

ALLOWS FOR RECIRCULATION OF WING SCALDER WATER TO MINIMIZE WATER CONSUMPTION, SAVING HEATING AND WATER COSTS



2001 Courtright Road
Columbus, OH 43232 USA



Please call
+1 (614) 253-8590



Send us an email
Sales@PrimeEquipmentGroup.com



More info
PrimeEquipmentGroup.com

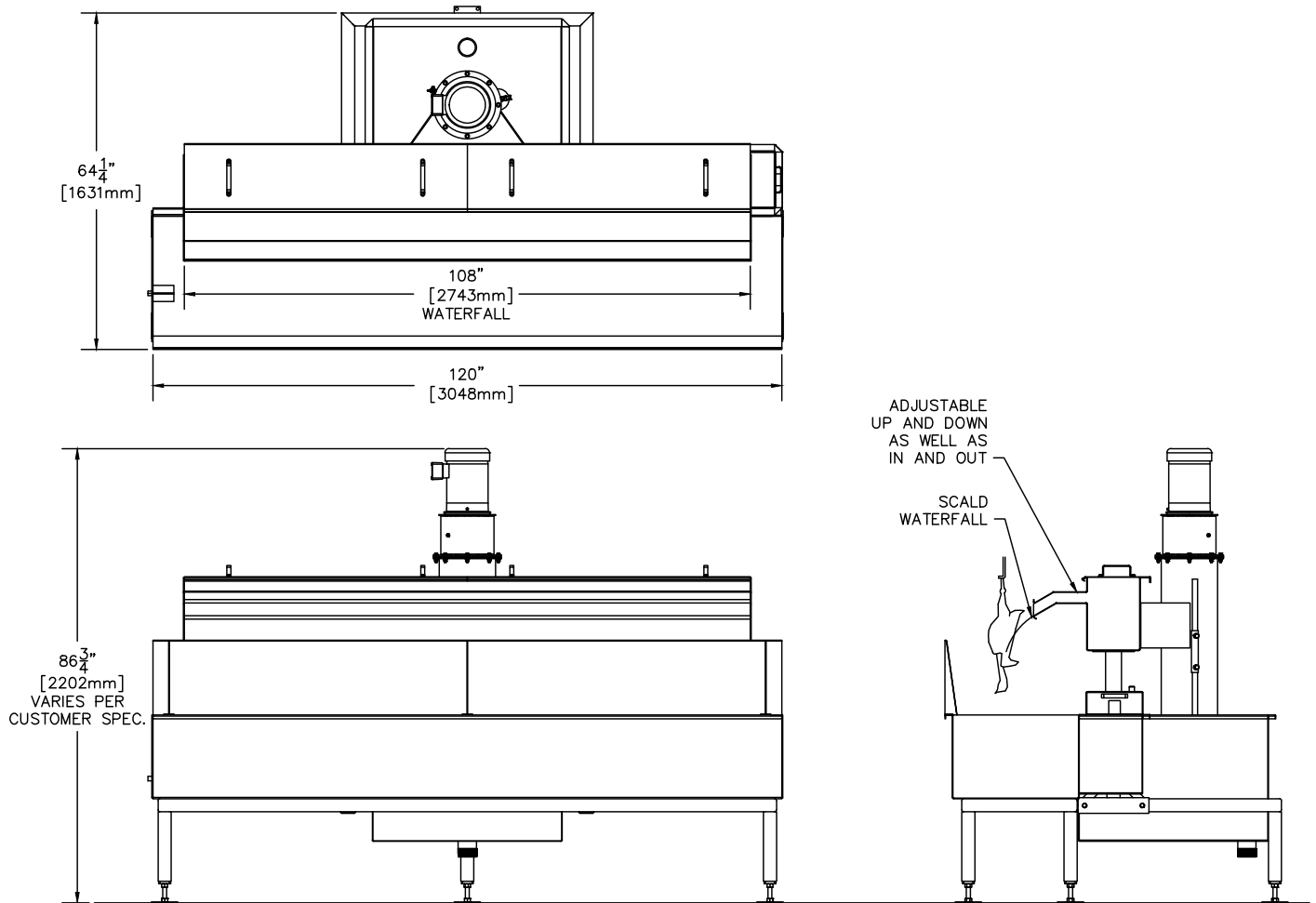


**STRONGER
TOGETHER**

**PRIME
EQUIPMENT GROUP**
Simple Solutions for Poultry Processing

WING CASCADE SCALDERS

Model No. WS-7, WS-8 WS-9, WS-9T



TECHNICAL SPECIFICATIONS

Electrical Requirements:	(1) 5 hp motor; 208/230/460V, 3 ph, 60 Hz
Water Requirements:	(1) 1" poly connection; 1.0 GPM (3.78 LPM); 40 PSI min.
Air Requirements:	30 PSI minimum
Steam Specifications:	(1) 1-1/4"; includes steam header control package
Net Weight:	1,600 lbs. (725 kg)
Production Rate :	Customized by length, dwell time and line speed
NOTE: Specifications are accurate at time of publication	