



**STRONGER
TOGETHER**

**PRIME
EQUIPMENT GROUP**
Simple Solutions for Poultry Processing

TECTRU GIZZARD REPEELING SYSTEM

MODEL: GR-TT



The Tectru GR-TT Gizzard Peeler, distributed by Prime, is a high-capacity machine designed to send split gizzards onto a conveyor table for sorting. Gizzards that require rework are slid onto a sub-conveyor leading to a repeeling bank. Re-worked gizzards are delivered back to the inspection conveyor for a second check and additional rework if needed. Available for chicken and turkey.

See Prime in action: View
www.PrimeEquipmentGroup.com/videos

Viewing online?
Click here

INCREASES WORKER SAFETY - NO
EXPOSURE TO PEELER ROLLERS

HIGH-VOLUME DESIGN FOR
MAXIMUM THROUGHPUT

UP TO 12,500 GIZZARDS/HOUR,
DEPENDING ON REWORK NEEDS



PRIME ROI:

SAVES LABOR OVER HAND GRADING/PROCESSING

HIGH YIELD REPEELER MINIMIZES PRODUCT LOSS

EFFICIENT CLEANING OF GIZZARDS THROUGH
MECHANICAL PEELER ROLLERS

2001 Courtright Road
Columbus, OH 43232 USA

Please call
+1 (614) 253-8590

Send us an email
Sales@PrimeEquipmentGroup.com

More info
PrimeEquipmentGroup.com

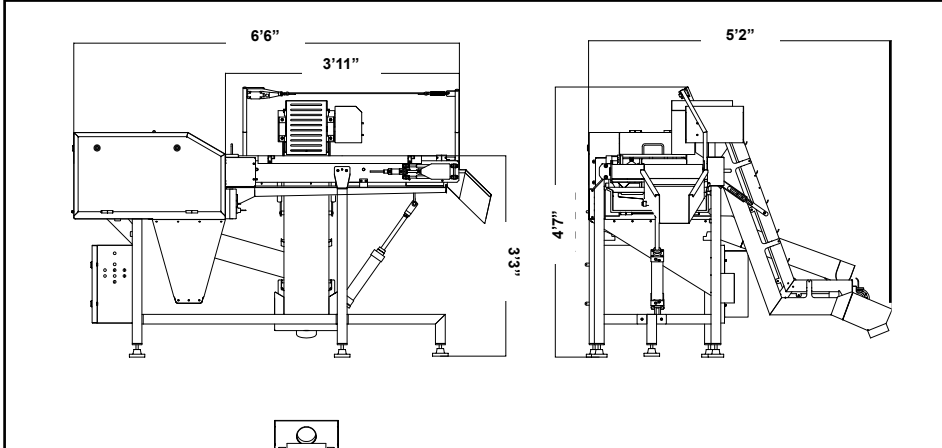


**STRONGER
TOGETHER**

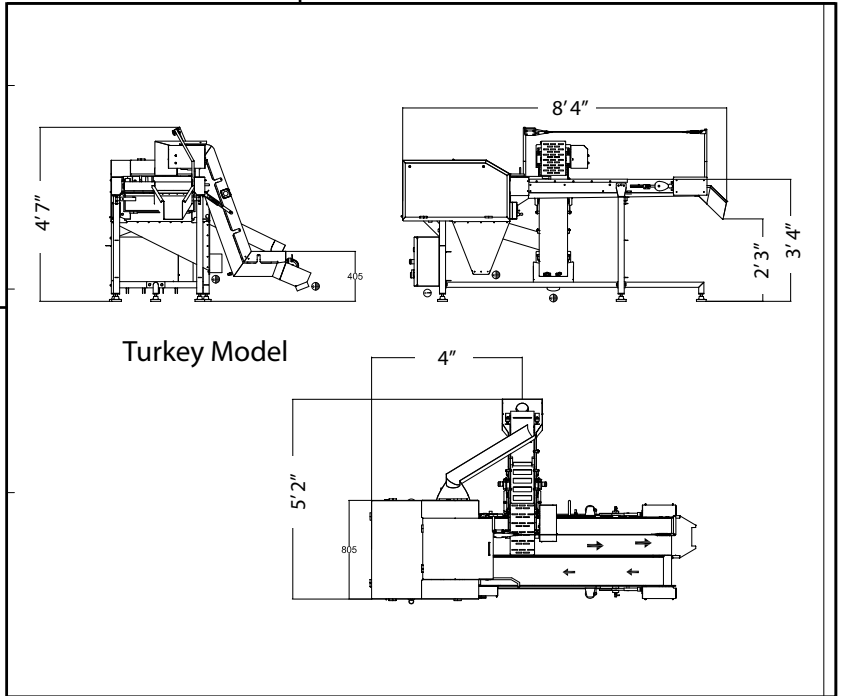
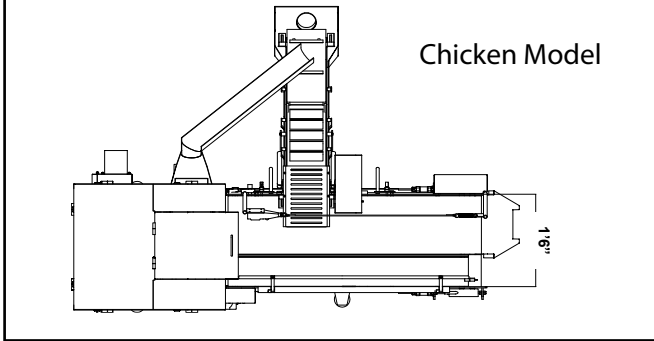
**PRIME
EQUIPMENT GROUP**
Simple Solutions for Poultry Processing

TECTRU GIZZARD REPEELING SYSTEM

MODEL: GR-TT



Chicken Model



Turkey Model

TECHNICAL SPECIFICATIONS

Electrical Requirements:	480V, 60Hz; 20A
Water Requirements:	7 GPM
Weight:	850 pounds
Production Rate:	Up to 1,500 gizzards/hour
NOTE: Specifications are accurate at time of publication	