

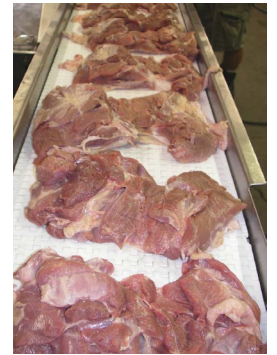


**STRONGER
TOGETHER**

**PRIME
EQUIPMENT GROUP**
Simple Solutions for Poultry Processing

NO WATER TURKEY SKINNER-CE CERTIFIED 12-, 18- AND 24-INCH OPTIONS

Models: TSK-NW-12
TSK-NW-18, TSK-NW-24



TSK NW-Series Skinners are an innovative and water-free solution for skinning bone-in and boneless turkey products. Available in belt widths of 12 and 24 inches for turkey and chicken, Prime No-Water Skinners use an air knife for paddlewheel clearing. This allows the machine to be used in countries that do not allow water in processing (typically Europe).

AIR KNIFE USES FILTERED AIR TO
CLEAR PADDLEWHEEL

SKINS BONE-IN AND BONELESS
PRODUCT

CUSTOMIZED OPTIONS FOR ANY
PRODUCTION LINE

See Prime in action: View
www.PrimeEquipmentGroup.com/videos

Viewing online?
Click here



PRIME ROI:

REDUCES WATER TREATMENT COSTS

LESS MAINTENANCE PARTS USAGE

IDEAL FOR PLANTS WHERE WATER IS NOT ALLOWED
(TYPICALLY EUROPE)

2001 Courtright Road
Columbus, OH 43232 USA

Please call
[+1 \(614\) 253-8590](tel:+16142538590)

Send us an email
Sales@PrimeEquipmentGroup.com

More info
PrimeEquipmentGroup.com

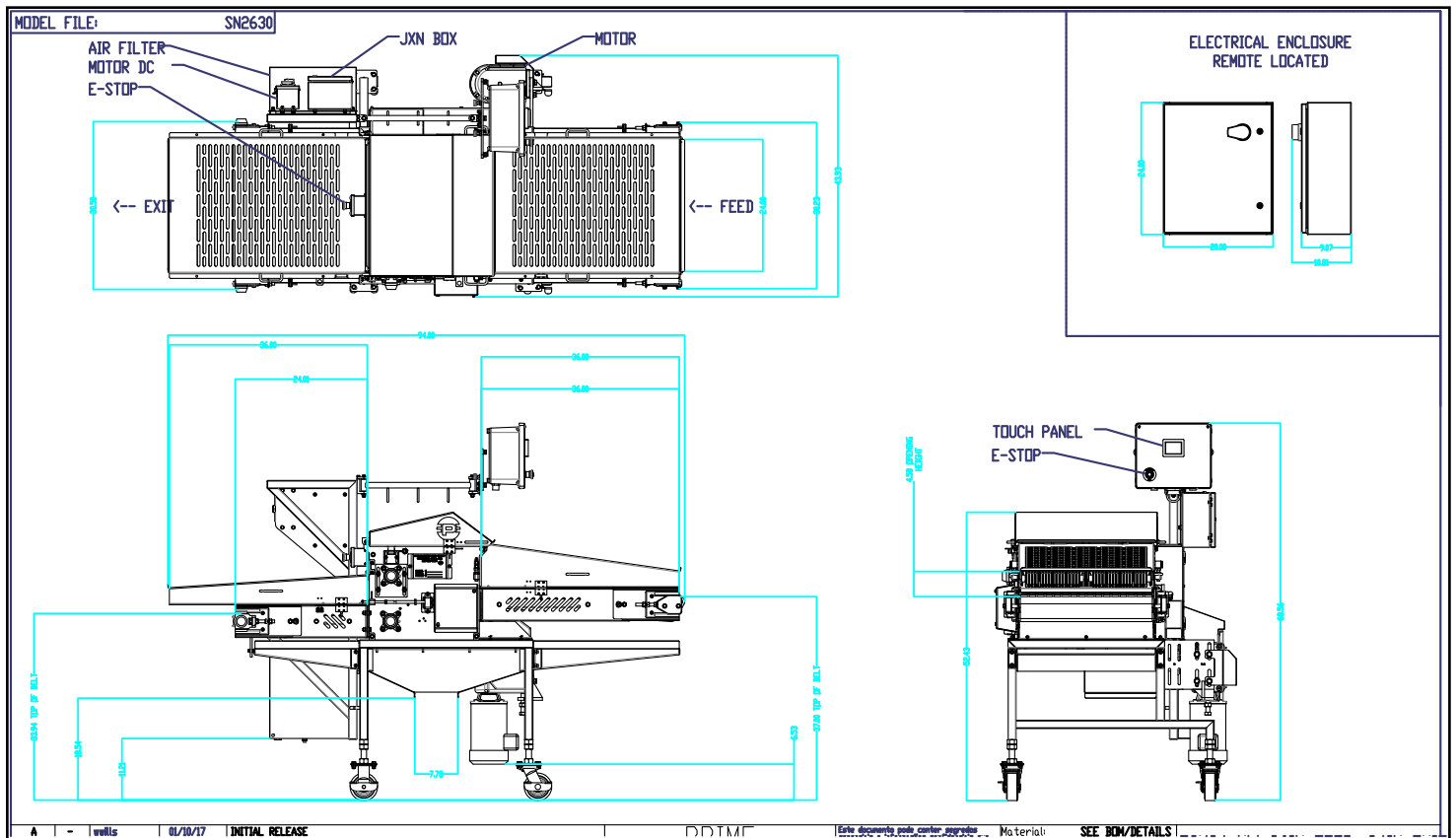


**STRONGER
TOGETHER**

**PRIME
EQUIPMENT GROUP**
Simple Solutions for Poultry Processing

NO WATER TURKEY SKINNER-CE CERTIFIED 12-, 18- AND 24-INCH OPTIONS

Models: TSK-NW-12
TSK-NW-18, TSK-NW-24



TECHNICAL SPECIFICATIONS

PRODUCTION RATES

		12-inch	18-inch	24-inch
Electrical Requirements:	(1) 2 hp motor; 480V, 3 ph, 60 Hz, 15 amps			
Air Requirements:	(1) 1 1/2" connection; 25 to 50 CFM depending on width; 100 PSI min.			
Net Weight:	12 inch: 600 lbs (272 kg); 24 inch: 800 lbs. (362 kg)			
Breast Butterflies (boneless):		up to 55	up to 90	up to 120
Thighs (bone-in):		up to 120	up to 160	up to 220
Drums (bone-in):		up to 60	up to 120	up to 150
Legs (bone-in):		up to 60	up to 90	up to 120
Low-Water Skinner models also available				

NOTE: Specifications and rates shown were current at time of publication

2001 Courtright Road
Columbus, OH 43232 USA

Please call
+1 (614) 253-8590

Send us an email
Sales@PrimeEquipmentGroup.com

More info
PrimeEquipmentGroup.com