



**STRONGER
TOGETHER**

**PRIME
EQUIPMENT GROUP**
Simple Solutions for Poultry Processing

H-D SIMPLE SKINNER FOR TURKEY

Models: TSK-2-12-H2L; TSK-2 24-H2L



WITH
CONTOUR DRIVE
FOR MAXIMUM YIELD



Scapula



Boneless thighs



The H-D Simple Skinner from Prime is the next generation of the industry's most successful skinner, with Prime's patented skinning system. The Contour Drive upper belt assembly features precisely adjustable air cylinders that allow the upper belt to follow product contours for optimal skinning of whole or split breasts, and bone-in legs and thighs. The pinchblock is automatically air-adjusted to prevent over-tightening, extending service life. For ease-of-use, the TSK-2 can be fully opened for sanitation in 15 seconds, and a quick-change skinning cartridge can be swapped in 15 minutes.

FULLY RE-ENGINEERED, NEXT-GEN PRIME SKINNING PLATFORM

BONELESS BREAST, BONELESS SCAPULA, BONE-IN DRUMS AND THIGHS

CONTOUR DRIVE UPPER BELT DRIVE IS PRECISELY TUNABLE FOR OPTIMAL PRESSURE AND SKINNING



PRIME ROI:

QUICK-SWAP SKINNING CARTRIDGE AND 15-SECOND PREP FOR SANITATION ALLOW FAST ADJUSTMENT AND CLEANING

CONTOUR-DRIVE UPPER ASSEMBLY AND PRIME PATENTED SKINNING ASSEMBLY PROVIDE THE BEST YIELD AVAILABLE

2001 Courtright Road
Columbus, OH 43232 USA

Please call
+1 (614) 253-8590

Send us an email
Sales@PrimeEquipmentGroup.com

More info
PrimeEquipmentGroup.com

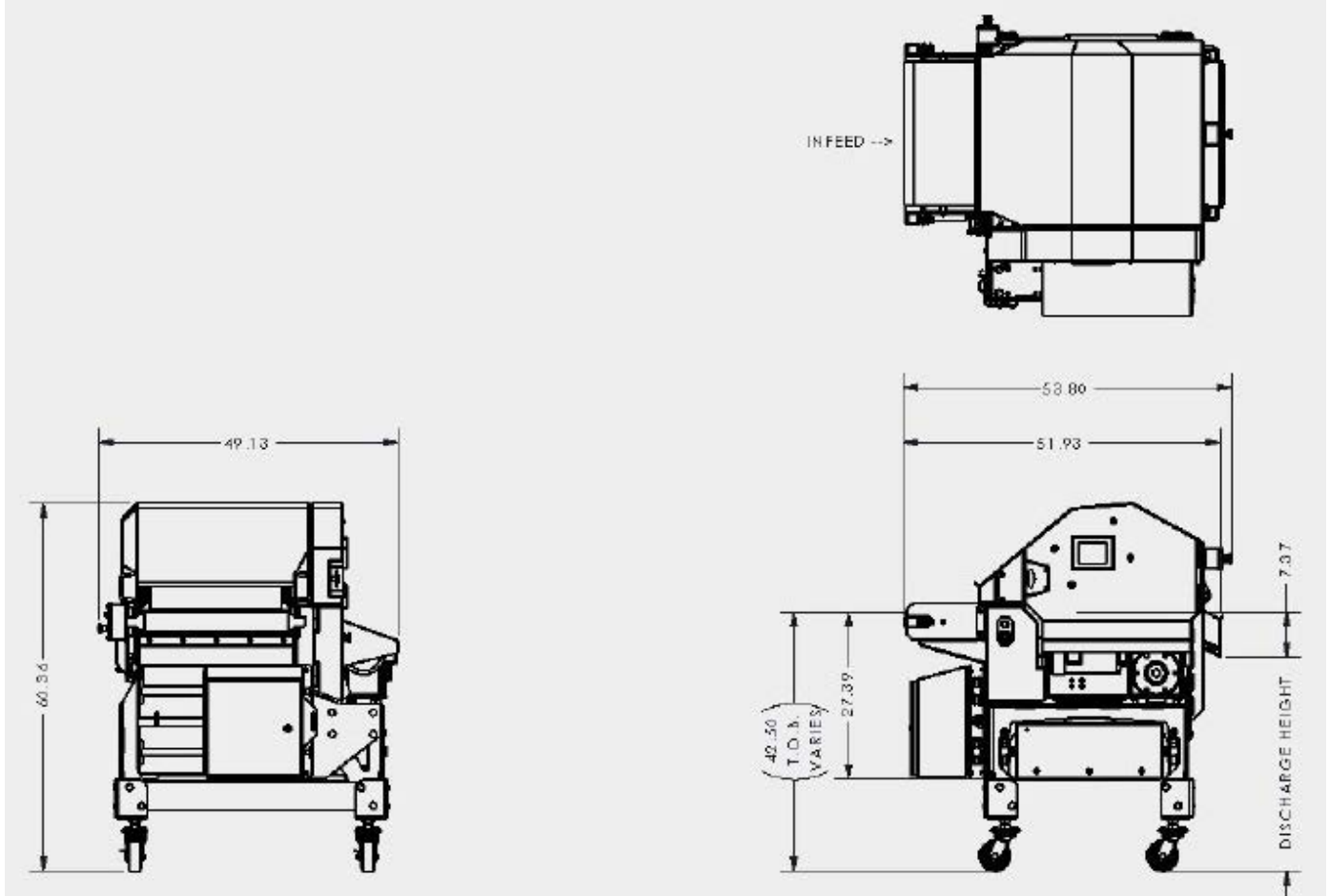


**STRONGER
TOGETHER**

**PRIME
EQUIPMENT GROUP**
Simple Solutions for Poultry Processing

H-D SIMPLE SKINNER FOR TURKEY

Models: TSK-2-12-H2L; TSK-2 24-H2L



TECHNICAL SPECIFICATIONS

Electrical:	(1) 2 hp motor; 480V, 3 ph, 60 Hz, 15 amps
Air Requirements:	H2Low: (1) 1/4" NPT connection; 5 CFM; 80 PSI No-Water: (1) 1/2" NPT, 80PSI; 25 CFM 12-inch, 50 CFM 24-inch
Water Requirements:	H2Low: (1) 1/4" NPT connection; 1.0 GPM, 40 PSI min., 60 psi recommended
Net Weight:	Approximately 1,800 lbs (816 kg) for 24-inch model

PRODUCTION RATES

	12-inch	24-inch
Breast Butterflies (boneless):		up to 30
Split Breast (boneless):	up to 30	up to 60
Thighs (bone-in):	up to 50	up to 100
Drums (bone-in):	up to 30	up to 60
Scapula (boneless):	up to 100	up to 160

NOTE: Specifications and rates shown were current at time of publication