



**STRONGER
TOGETHER**

**PRIME
EQUIPMENT GROUP**
Simple Solutions for Poultry Processing

PRIME H-D SIMPLE SKINNER FOR CHICKEN

Models: CSK-2, CSK-2 H2Low



WITH
CONTOUR DRIVE
FOR MAXIMUM YIELD



The **Heavy-Duty Simple Skinner** from Prime is the next generation of the industry's most successful skinner, with Prime's patented skinning system. The Contour Drive upper belt assembly features precisely adjustable air cylinders that allow the upper belt to follow product contours for optimal skinning of whole or split breasts, and bone-in legs and thighs. The pinchblock is automatically air-adjusted to prevent over-tightening, extending service life. For ease-of-use, the CSK-2 can be fully opened for sanitation in 15 seconds, and a quick-change skinning cartridge can be swapped in 15 minutes.

FULLY RE-ENGINEERED, NEXT-GEN PRIME SKINNING PLATFORM

BONELESS BREAST, BONE-IN LEGS, DRUMS AND THIGHS

CONTOUR DRIVE UPPER BELT DRIVE IS PRECISELY TUNABLE FOR OPTIMAL PRESSURE AND SKINNING



PRIME ROI:

QUICK-SWAP SKINNING CARTRIDGE AND 15-SECOND PREP FOR SANITATION ALLOW FAST ADJUSTMENT AND CLEANING

CONTOUR-DRIVE UPPER ASSEMBLY AND PRIME PATENTED SKINNING ASSEMBLY PROVIDE THE BEST YIELD AVAILABLE

2001 Courtright Road
Columbus, OH 43232 USA

Please call
+1 (614) 253-8590

Send us an email
Sales@PrimeEquipmentGroup.com

More info
PrimeEquipmentGroup.com

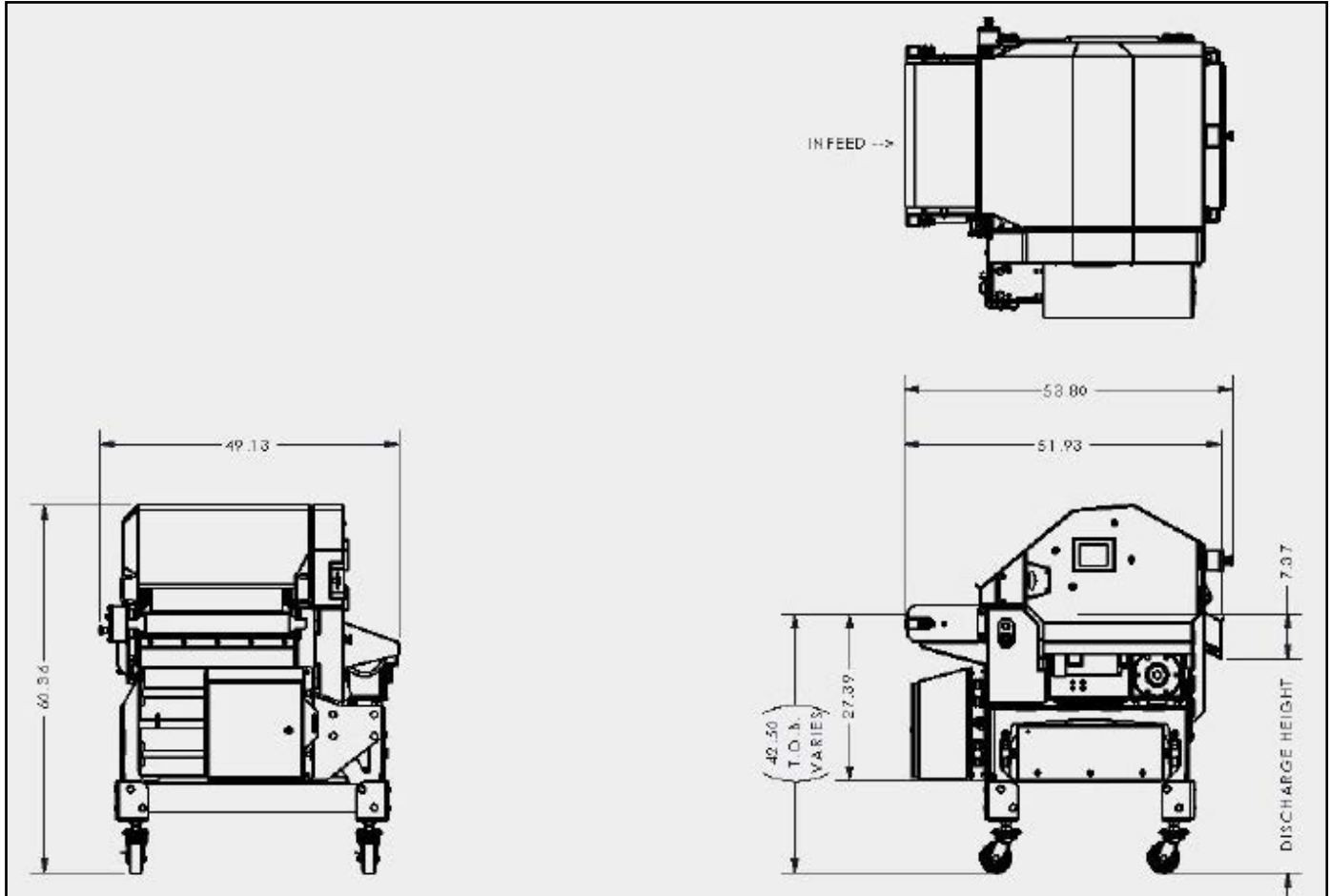


STRONGER TOGETHER

PRIME EQUIPMENT GROUP
Simple Solutions for Poultry Processing

PRIME H-D SIMPLE SKINNER FOR CHICKEN

Models: CSK-2, CSK-2 H2Low



TECHNICAL SPECIFICATIONS

PRODUCTION RATES

		12-inch	24-inch	
Electrical Requirements:	(1) 2 hp motor; 480V, 3 ph, 60 Hz, 15 amps	Breast Butterflies (boneless):	up to 55	up to 120
Air Requirements:	H2Low: (1) 1/4" NPT connection; 5 CFM; 80 PSI No-Water: (1) 1/2" NPT, 80PSI; 25 CFM 12-inch, 50 CFM 24-inch	Thighs (bone-in):	up to 120	up to 220
Water Requirements:	H2Low: (1) 1/4" NPT connection; 1.0 GPM, 40 PSI min., 60 psi recommended	Drums (bone-in):	up to 60	up to 150
Net Weight:	Approximately 1,800 lbs (816 kg) for 24-inch model	Legs (bone-in):	up to 60	up to 120
NOTE: Specifications and rates shown were current at time of publication				